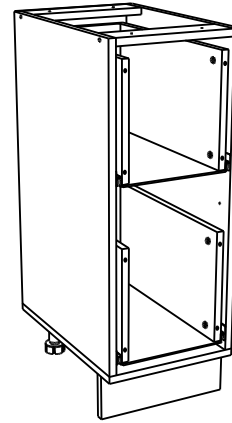
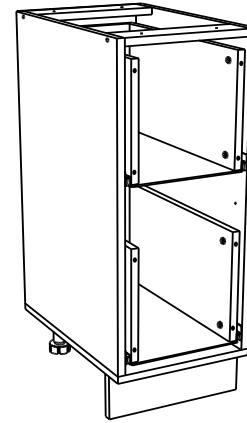


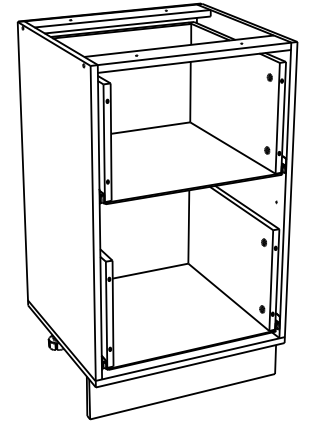
**N302**



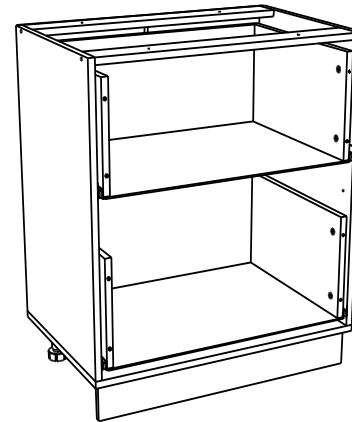
**N402**



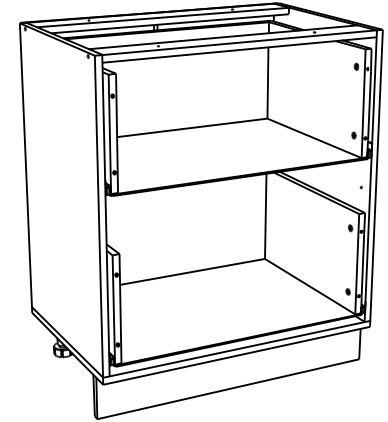
**N502**



**N602**



**N802**

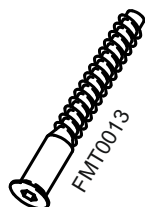




8x



28x



16x



4x



4x



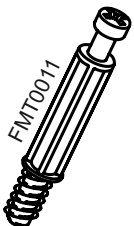
36/46x\*



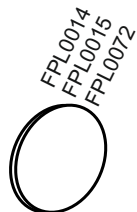
1x



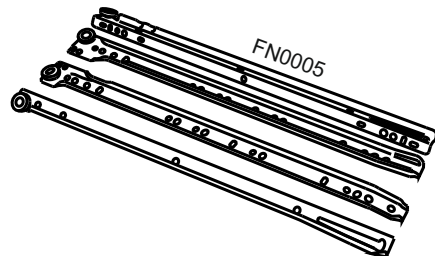
8x



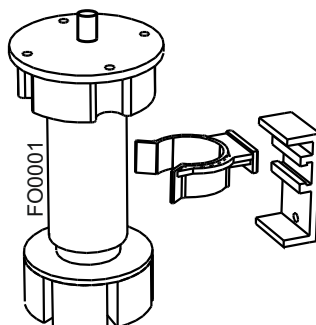
8x



8x



2x

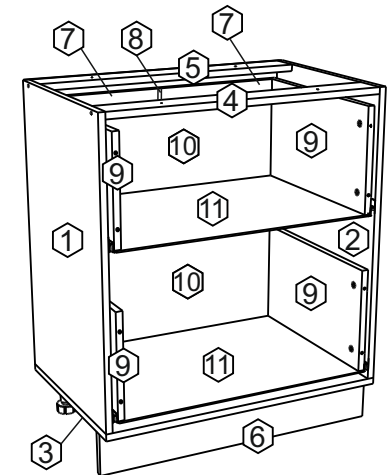


4x

\* - указано в детализовке

\* - see in specification

| №         | code     | a*b     | module |    |    |    |    |
|-----------|----------|---------|--------|----|----|----|----|
|           |          |         | mZ     | rZ | nZ | bZ | oZ |
| ①         | N 300.01 | 700*458 | 1      | 1  | 1  | 1  | 1  |
| ②         | N 300.02 | 700*458 | 1      | 1  | 1  | 1  | 1  |
| ③         | N 300.03 | 300*458 | 1      |    |    |    |    |
|           | N 400.01 | 400*458 |        | 1  |    |    |    |
|           | N 500.01 | 500*458 |        |    | 1  |    |    |
|           | N 600.01 | 600*458 |        |    |    | 1  |    |
|           | N 800.01 | 800*458 |        |    |    |    | 1  |
| ④         | N 300.04 | 268*74  | 1      |    |    |    |    |
|           | N 400.02 | 368*74  |        | 1  |    |    |    |
|           | N 500.02 | 468*74  |        |    | 1  |    |    |
|           | N 600.02 | 568*74  |        |    |    | 1  |    |
|           | N 800.02 | 768*74  |        |    |    |    | 1  |
| ⑤         | N 300.05 | 268*74  | 1      |    |    |    |    |
|           | N 400.03 | 368*74  |        | 1  |    |    |    |
|           | N 500.03 | 468*74  |        |    | 1  |    |    |
|           | N 600.03 | 568*74  |        |    |    | 1  |    |
|           | N 800.03 | 768*74  |        |    |    |    | 1  |
| ⑥         | N 300.07 | 300*100 | 1      |    |    |    |    |
|           | N 400.05 | 400*100 |        | 1  |    |    |    |
|           | N 500.05 | 500*100 |        |    | 1  |    |    |
|           | N 600.05 | 600*100 |        |    |    | 1  |    |
|           | N 800.05 | 800*100 |        |    |    |    | 1  |
| ⑦         | V 300.04 | 715*295 | 1      |    |    | 2  |    |
|           | V 800.03 | 715*395 |        | 1  |    | 2  |    |
|           | N 500.06 | 715*495 |        |    | 1  |    |    |
| ⑧         | V 400.04 | 682 mm  |        |    |    | 1  | 1  |
| ⑨         | N 302.01 | 450*250 | 4      | 4  | 4  | 4  | 4  |
|           | N 302.02 | 211*250 | 2      |    |    |    |    |
|           | N 402.01 | 311*250 |        | 2  |    |    |    |
|           | N 502.01 | 411*250 |        |    | 2  |    |    |
|           | N 602.01 | 511*250 |        |    |    | 2  |    |
| ⑩         | N 802.01 | 711*250 |        |    |    | 2  |    |
|           | N 301.03 | 455*242 | 2      |    |    |    |    |
|           | N 401.02 | 455*342 |        | 2  |    |    |    |
|           | N 501.02 | 455*442 |        |    | 2  |    |    |
|           | N 601.02 | 540*455 |        |    |    | 2  |    |
| N 802.02  | 740*455  |         |        |    |    | 2  |    |
| furniture |          |         |        |    |    |    |    |
| FMT0009   |          |         | 36     | 36 | 36 | 46 | 46 |



**В мебельном наборе могут быть конструктивные изменения, не ухудшающие качество изделия, но не указанные в данной инструкции.**

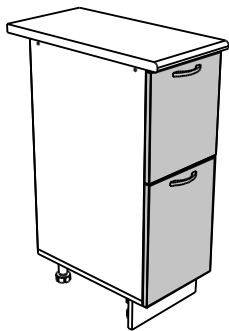
**In furniture KIT, there may be changes, not specified in this manual, which don't deteriorate the quality of the produkt.**

**!Внимание! Максимальная нагрузка на ящик составляет 12 кг.**

**!Remember! Total weight of goods in the drawer shouldn't be over 12 kg.**

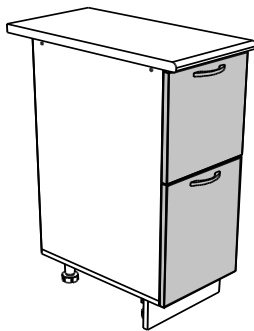
N302

F-12  
316\*296-1  
390\*296-1



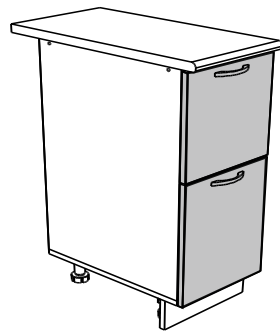
N402

F-22  
316\*396-1  
390\*396-1



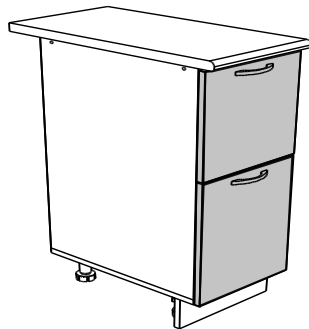
N502

F-32  
316\*496-1  
390\*496-1



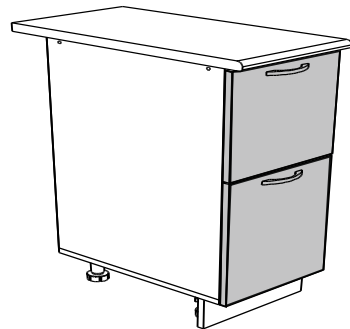
N602

F-42  
316\*596-1  
390\*596-1

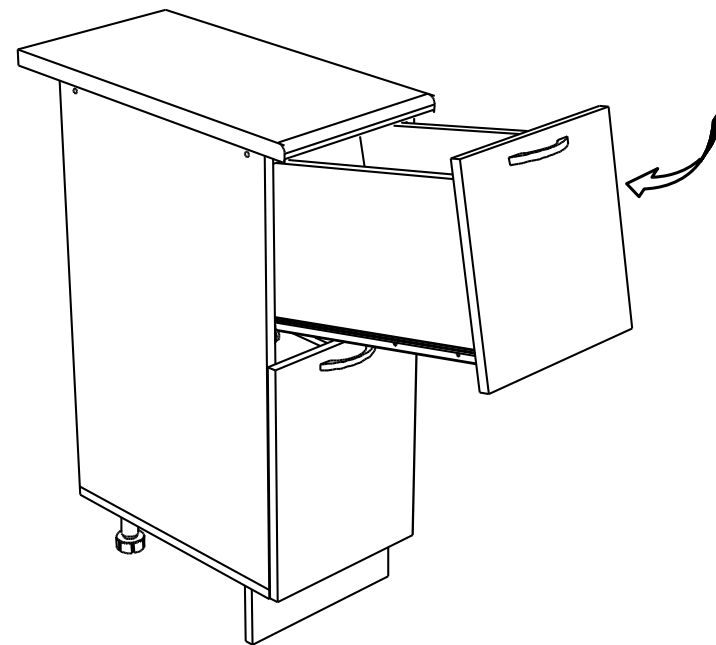


N802

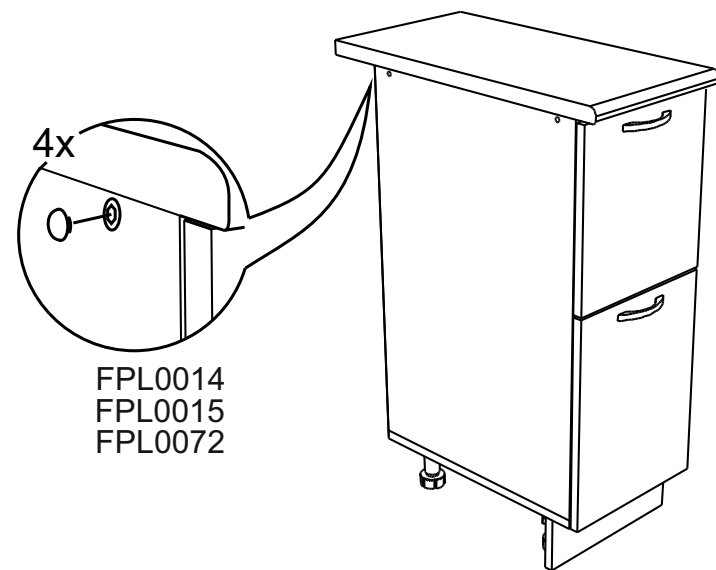
F-52  
316\*796-1  
390\*796-1



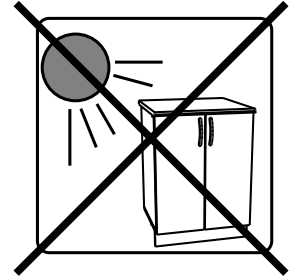
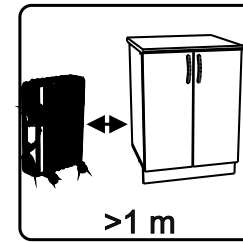
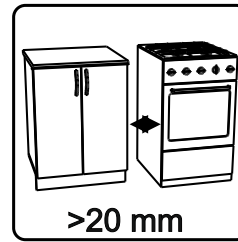
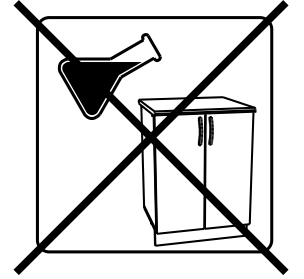
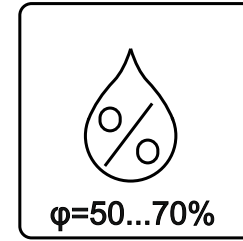
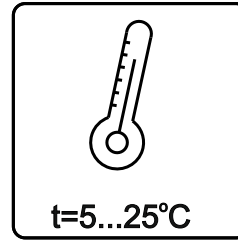
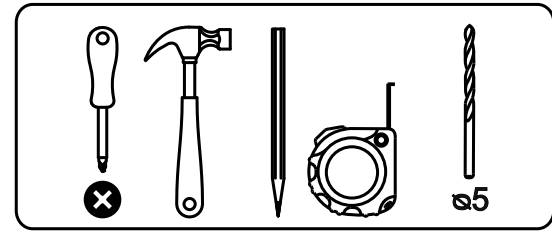
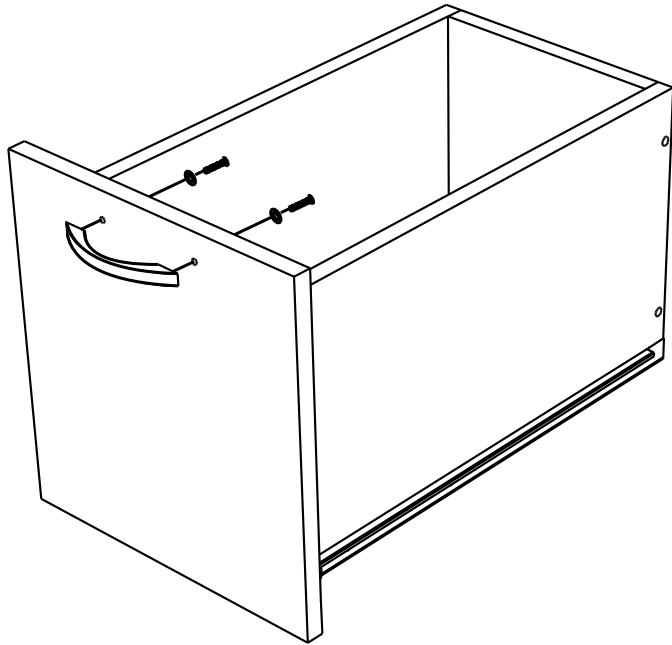
18



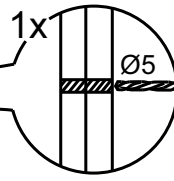
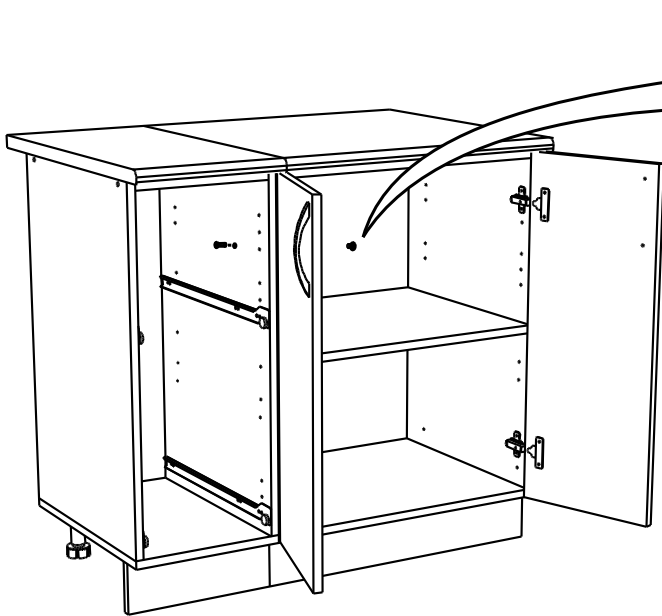
19



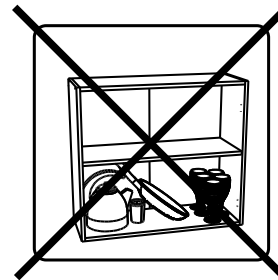
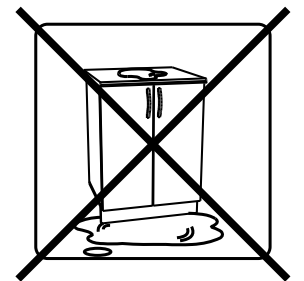
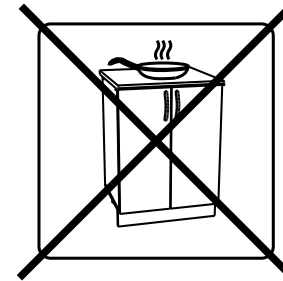
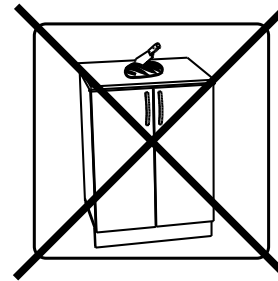
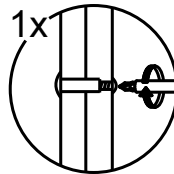
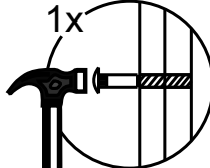
16



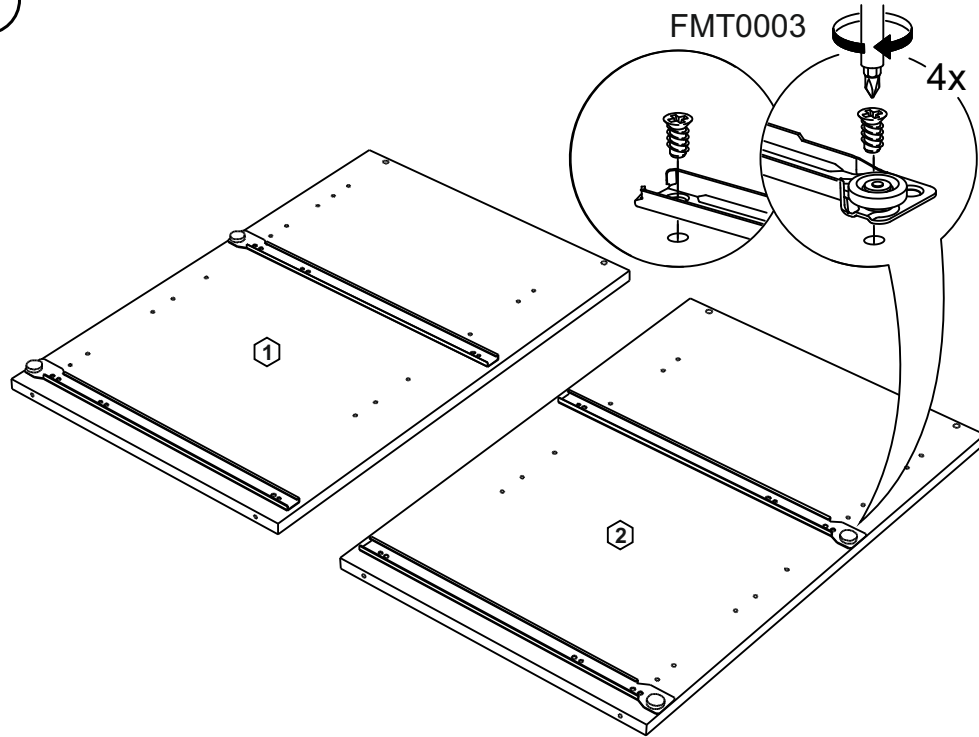
17



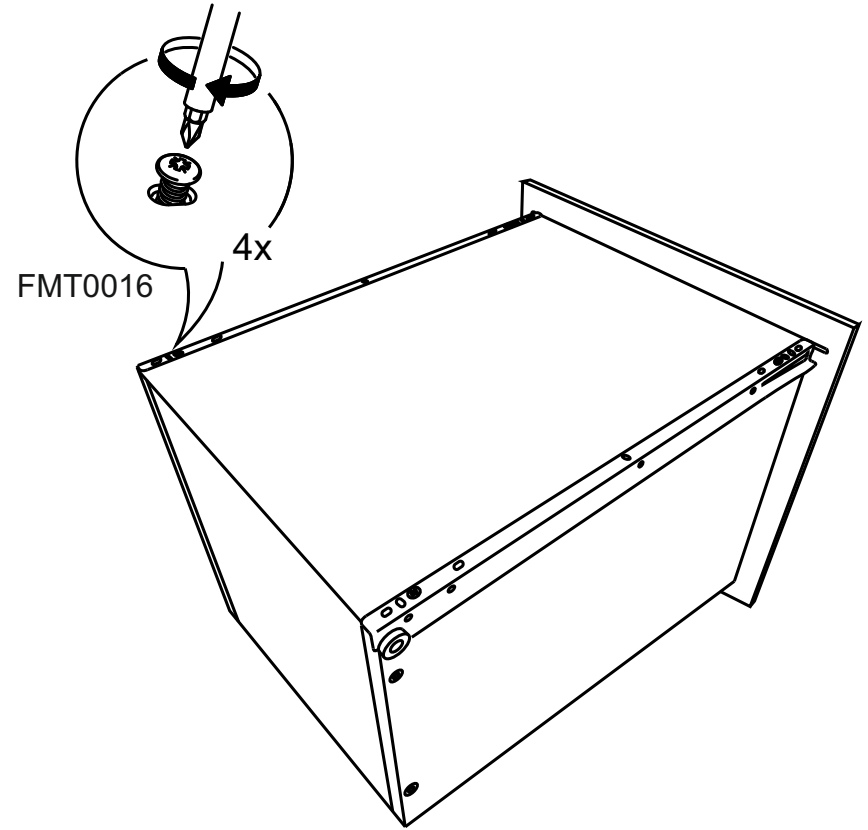
FMT0028



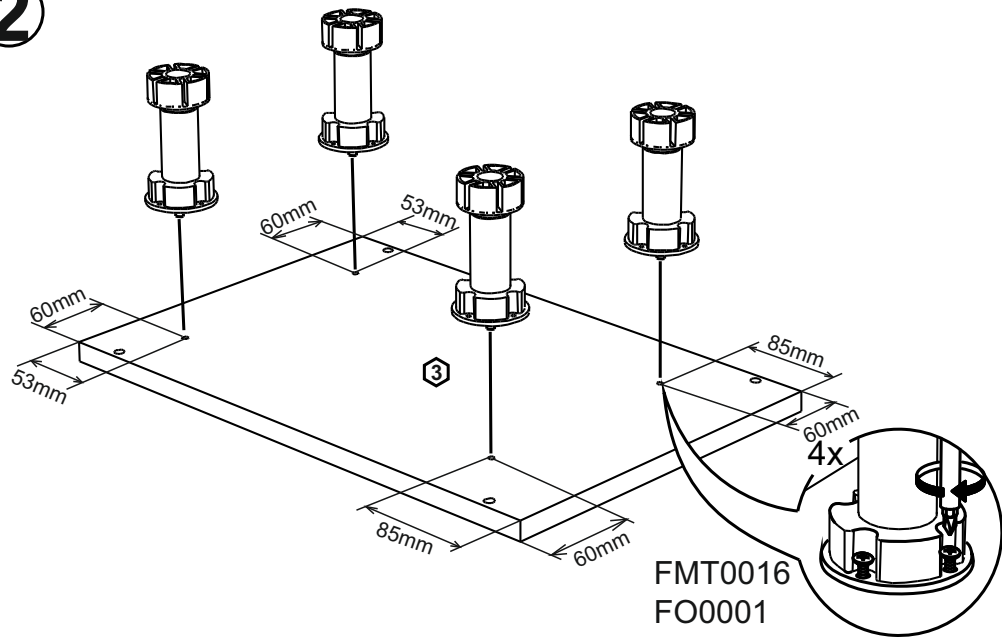
1



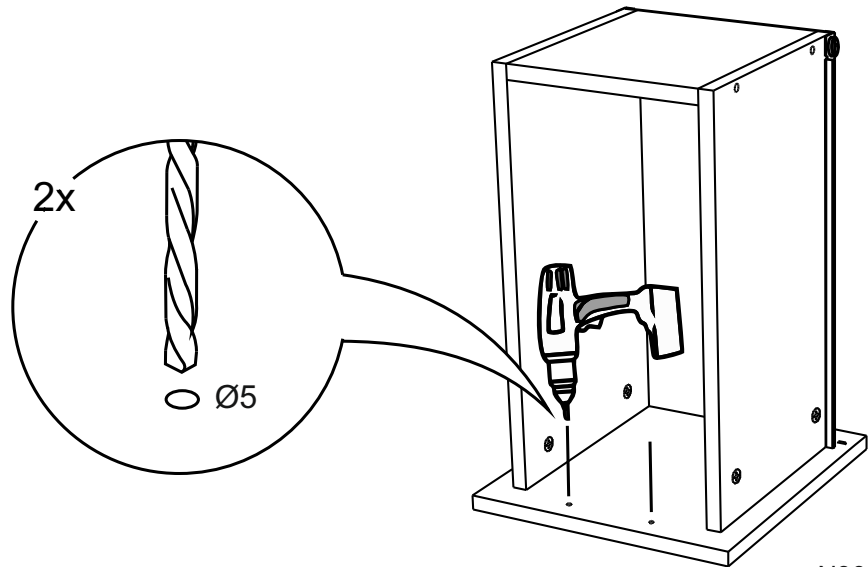
14



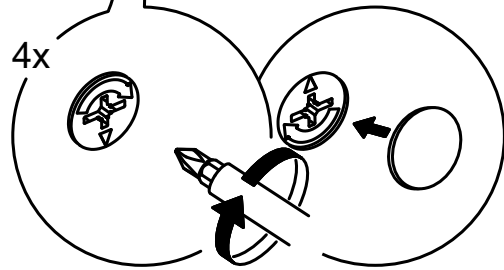
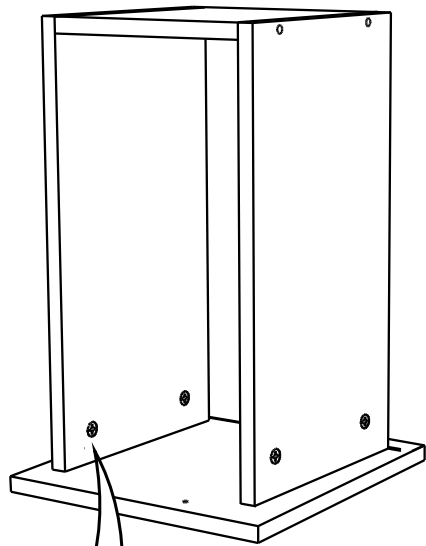
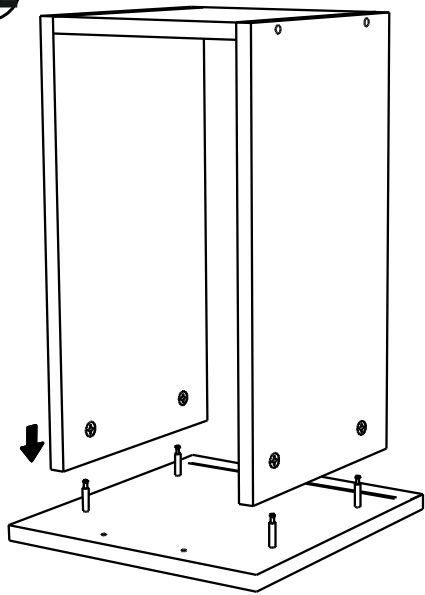
2



15

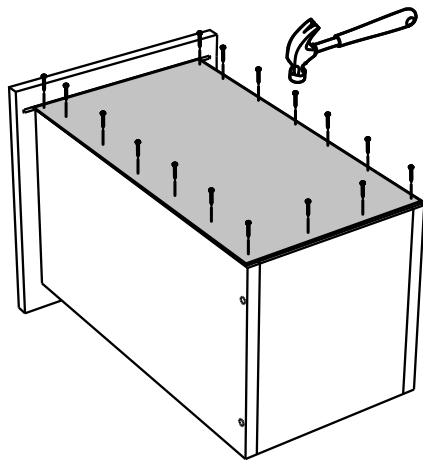
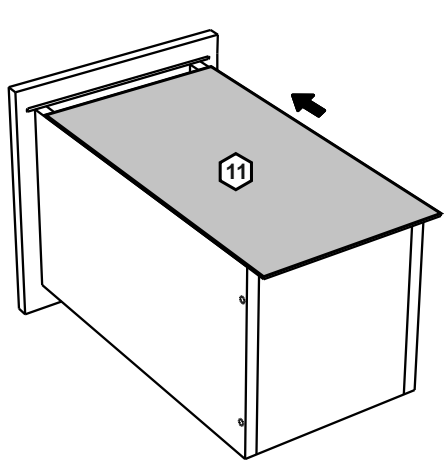


12

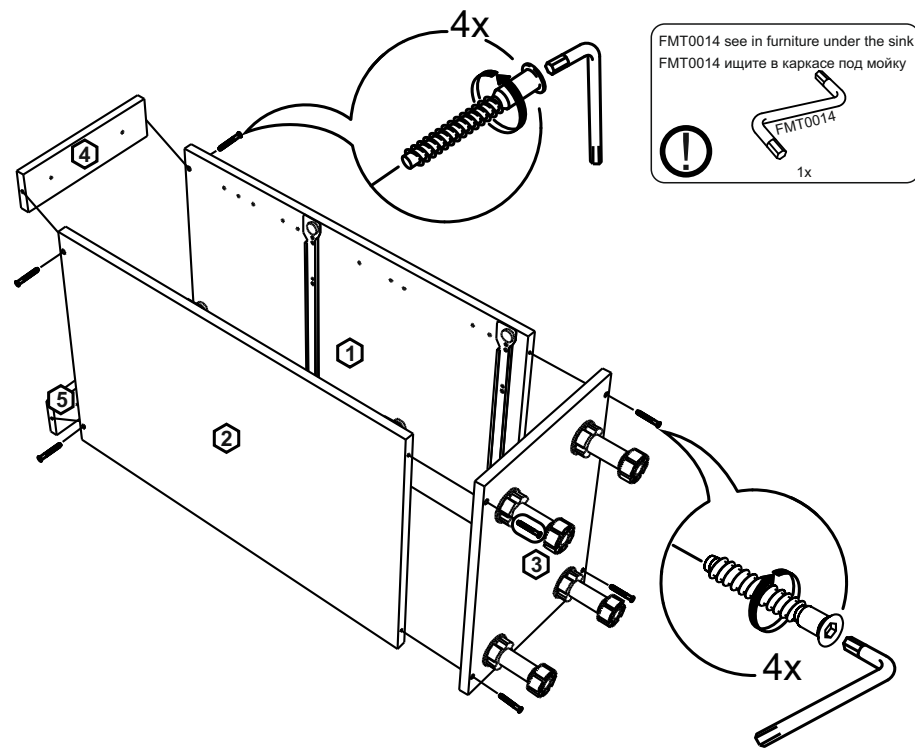


FPL0014  
FPL0015  
FPL0072

13



3



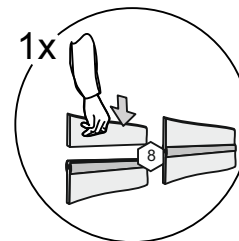
FMT0014 see in furniture under the sink  
FMT0014 ищите в каркасе под мойку

!

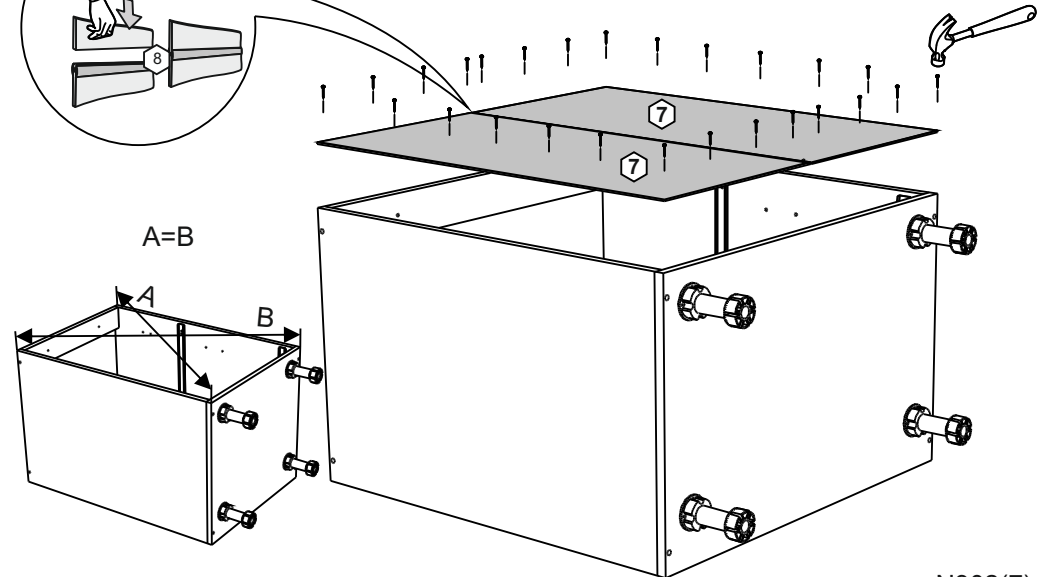
FMT0014

1x

4

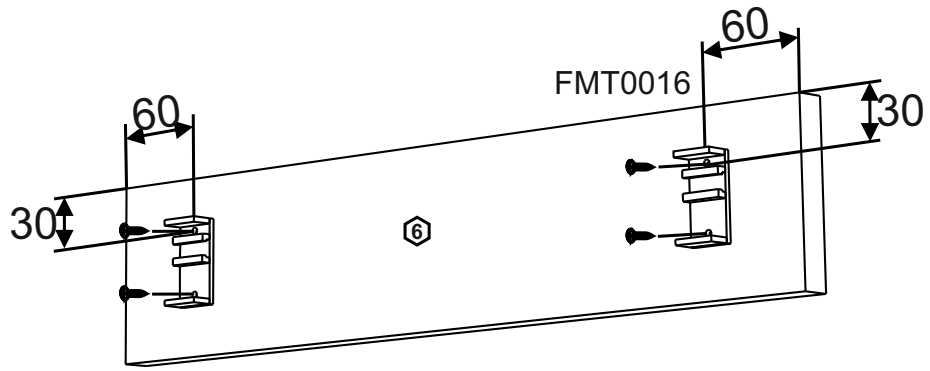


1x

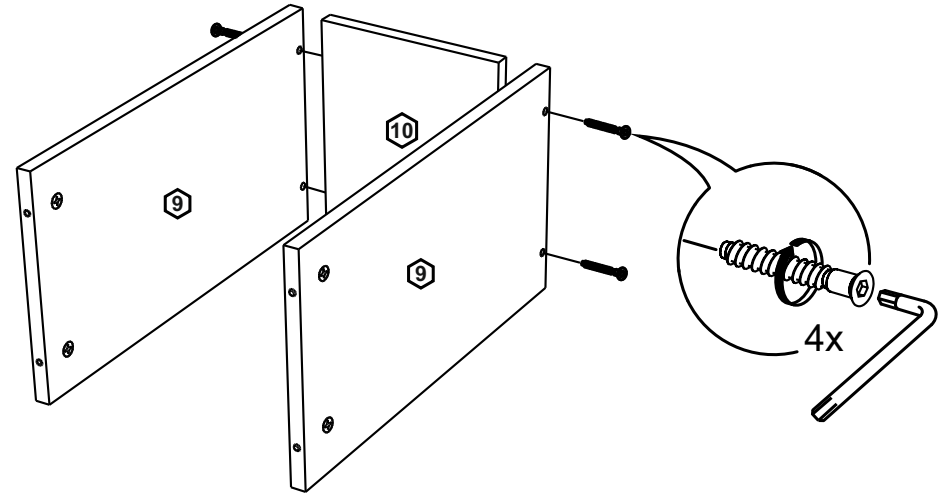


A=B

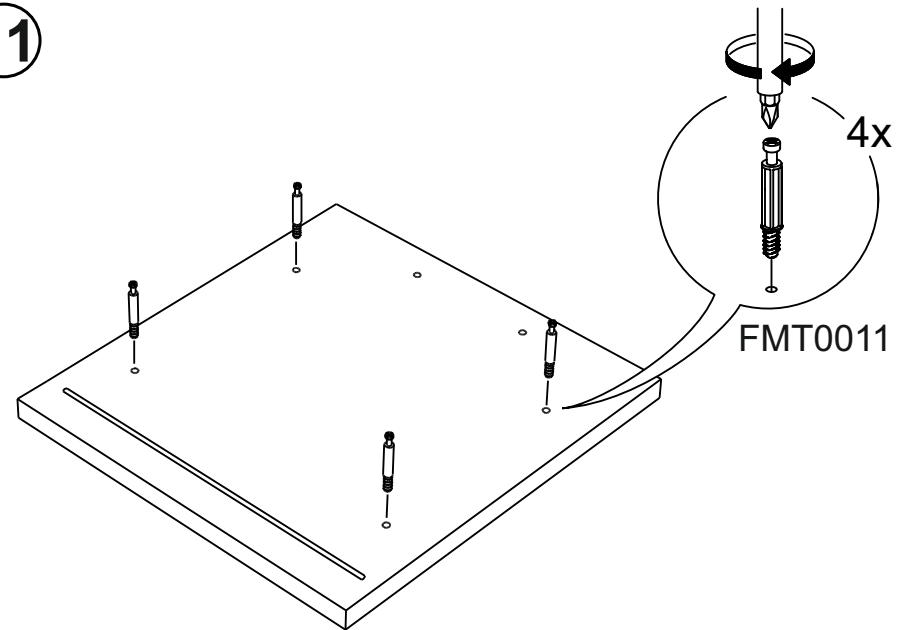
5



10

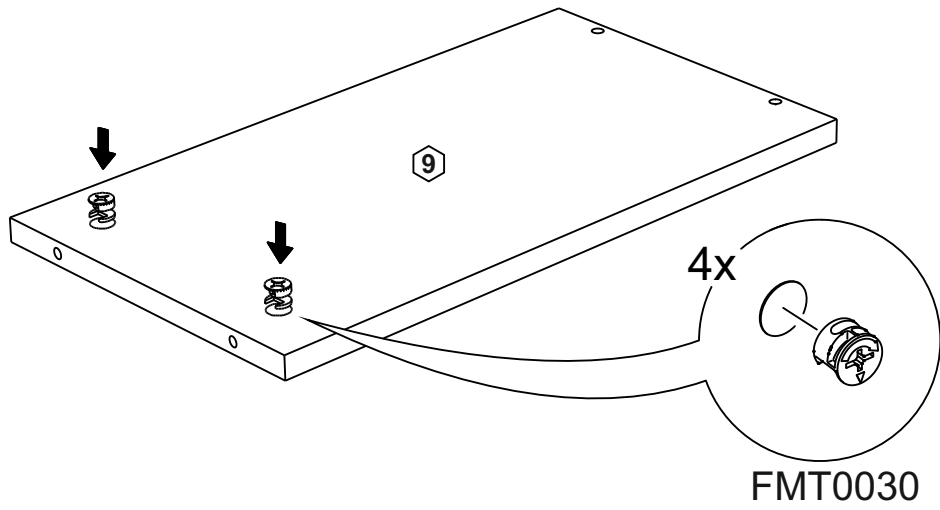


11

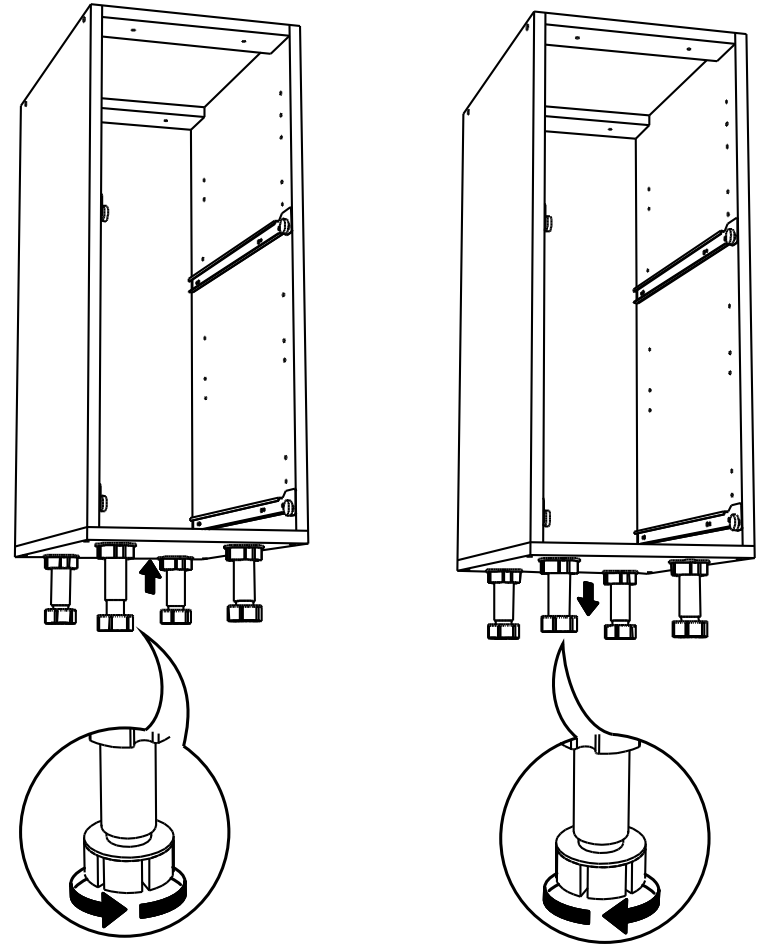




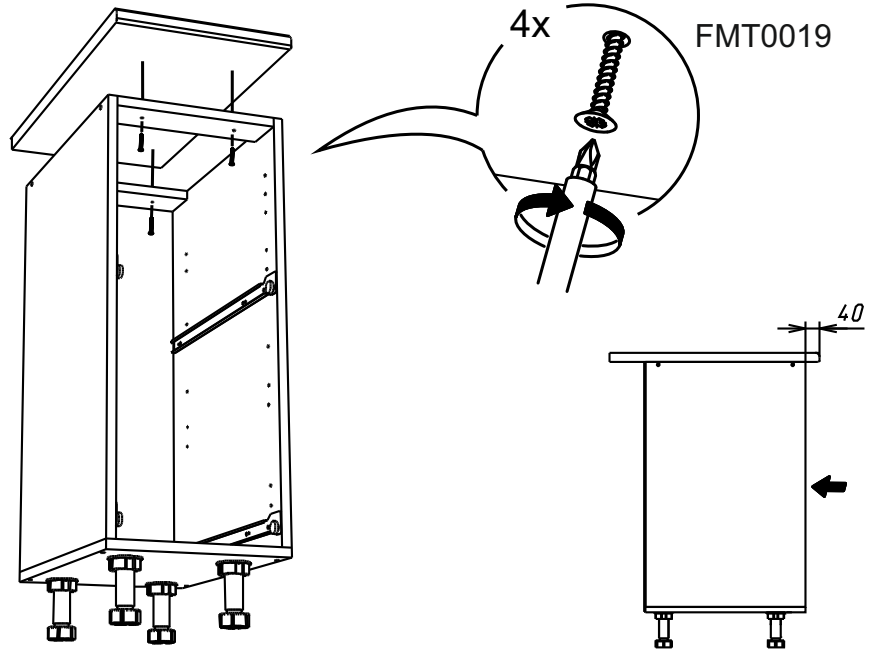
9



6



7



8

